

GEN3 70V 105Ah

070105-06

**GENERAL**

Nominal Voltage	70.4V
Working Voltage	59.4V - 80.3V
Recommended Voltage	66.0V - 78.3V
Cell Count	22
Nominal Capacity	105Ah
Energy	7,392Wh
Reserve @25A	252 Minutes
Self Discharge	1% Per Month
IP Rating	IP67
BMS (Battery Management System)	Proprietary - EB

DISCHARGING

Max Continuous Discharge	250A
Max Discharge 5 Sec	600A
Max Discharge 10 Sec	550A
Recom. Voltage Cutoff	66.0V
BMS Voltage Recovery	63.8V
Discharge Temp Range	-20F to 140F

CHARGING

Auto Charger Wake-up	YES
Max Continuous Charge	<52A
Max Charge 30 Seconds	200A
Bulk/Absorb Voltage	78.1V
Float Voltage	77.0V or OffV or Off
BMS High Voltage Cutoff	81.4V
Charging Temp. Range	32F to 130F

COMMUNICATION

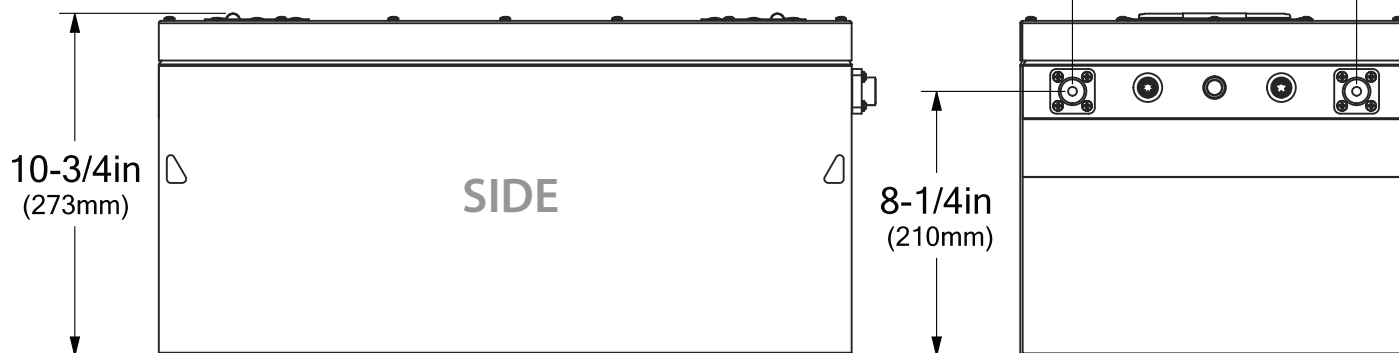
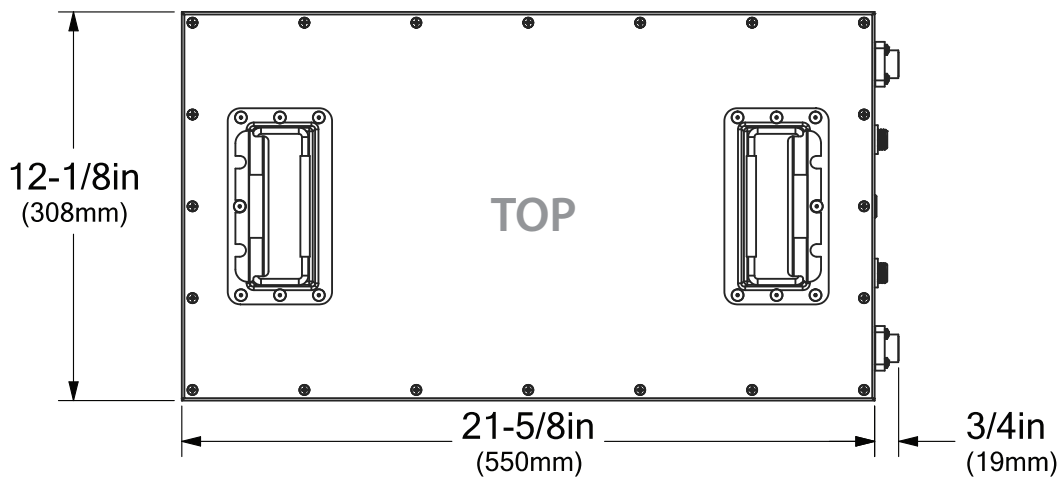
Bluetooth	Yes
CAN	Yes
Mobile App/PC	Yes
Software Updates	Over-the-air

SAFETY

Charging Freeze Protection	Yes, Under 32F
Pack Over-Voltage	Yes
Cell Balancing	Yes
Pack Under-Voltage	Yes
Cell Under-Voltage	Yes
Cell Over-Temp	Yes
BMS Over-Temp	Yes
Short Circuit/Over Current	Yes
Certifications	UN38.3, UL1642 Cell

PHYSICAL

Cell Chemistry	Lithium Iron Phosphate
Cell Type	Prismatic
Cell Configuration	1P22S
Series Connectable	No
Parallel Connectable	Yes, up to 2
Weight	146 lbs (66.22Kg)
Dimension LxWxH	22"X12.125"X10.625"
Terminal Type	M8 Female
Shell Type	Powder Coated Steel
UN Shipping Class	UN 3480



Torque Specs
M8 Terminal Bolts - 6ft/lbs (72 in/lbs)

